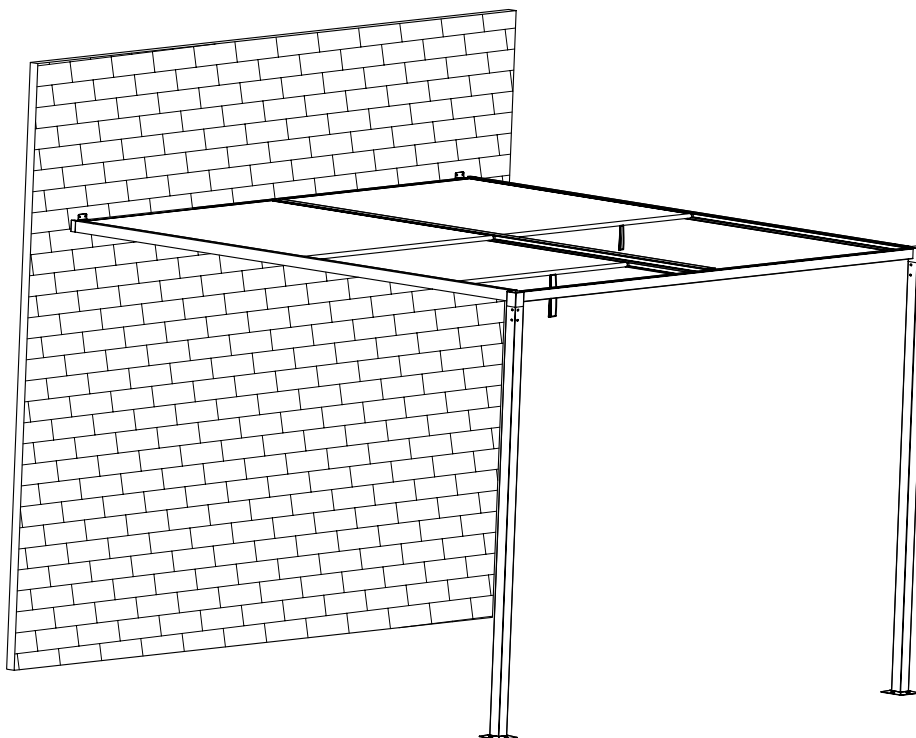
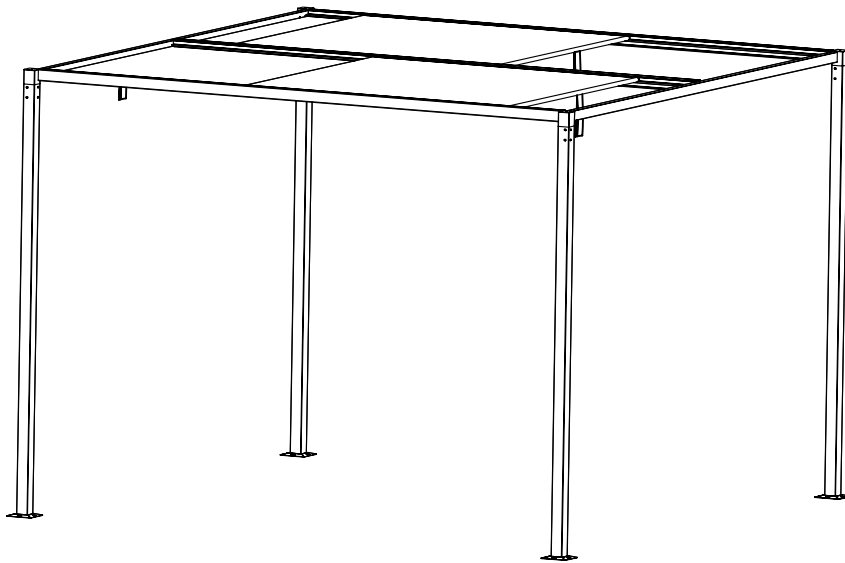
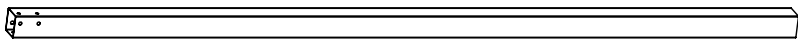



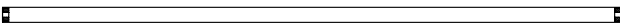
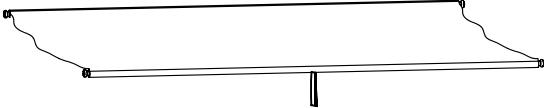
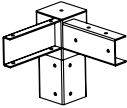
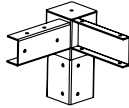
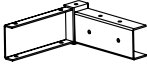
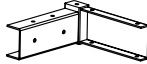
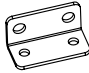
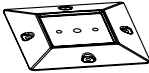
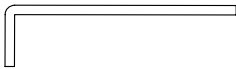
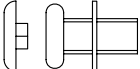
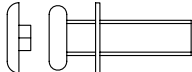
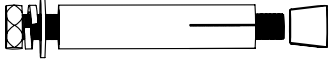


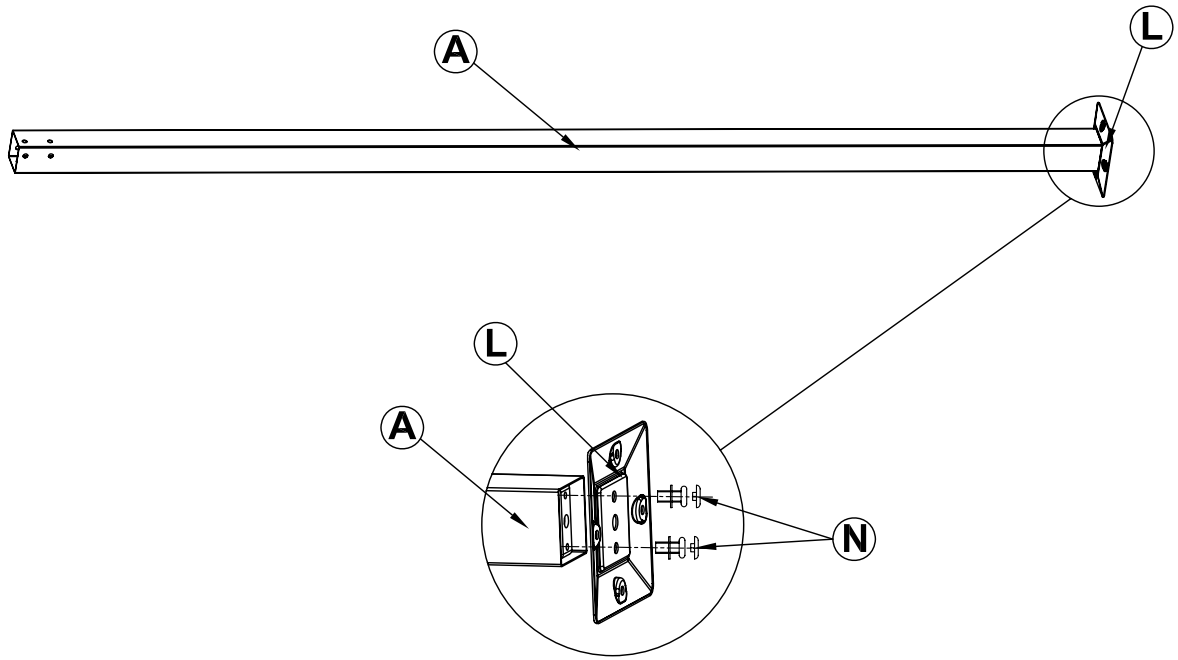


GFM00666B

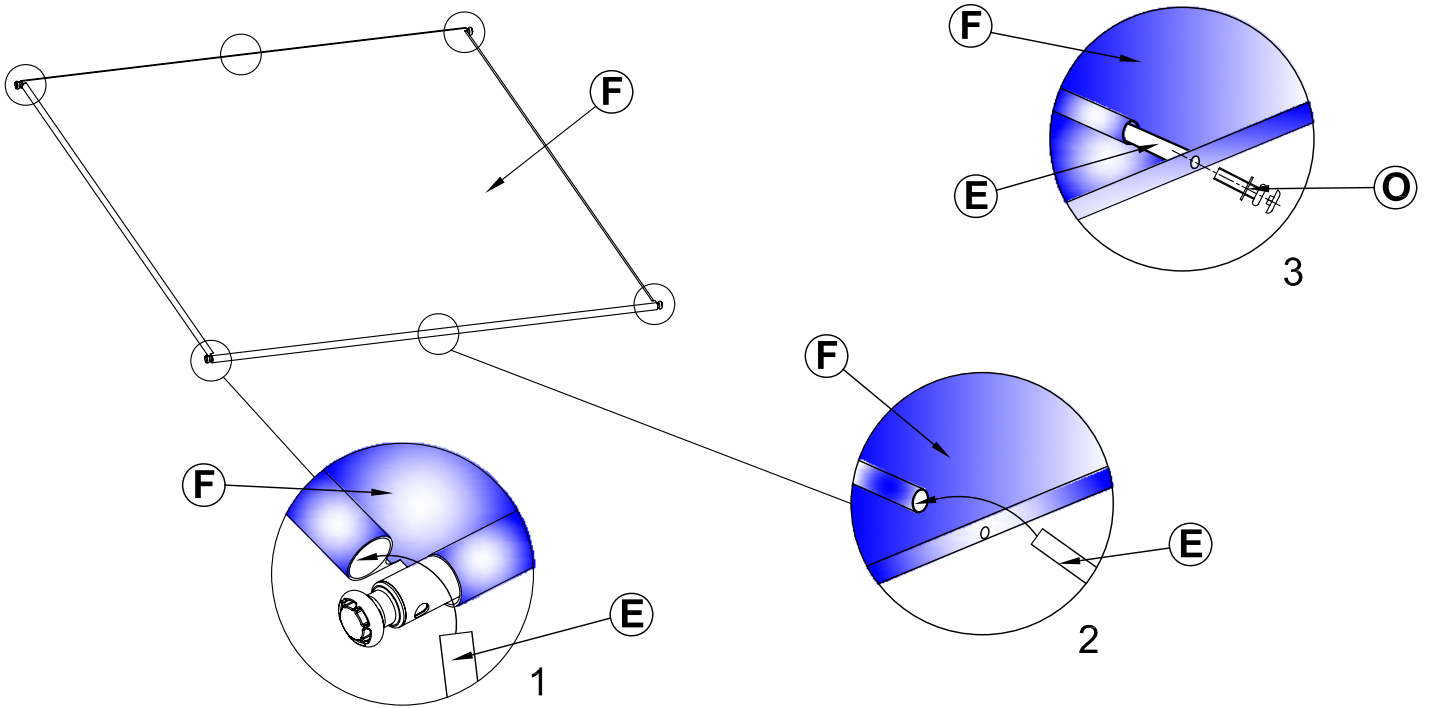


A	4				
B	2				
C	1				
D	2				
E	12				
F	4				
G	2		H	2	
I	1		J	1	
K	2		L	4	
M	16		N	76	 M6 * 15 mm
O	24	 M6 * 30 mm	P	4	
Q	2		R	1	

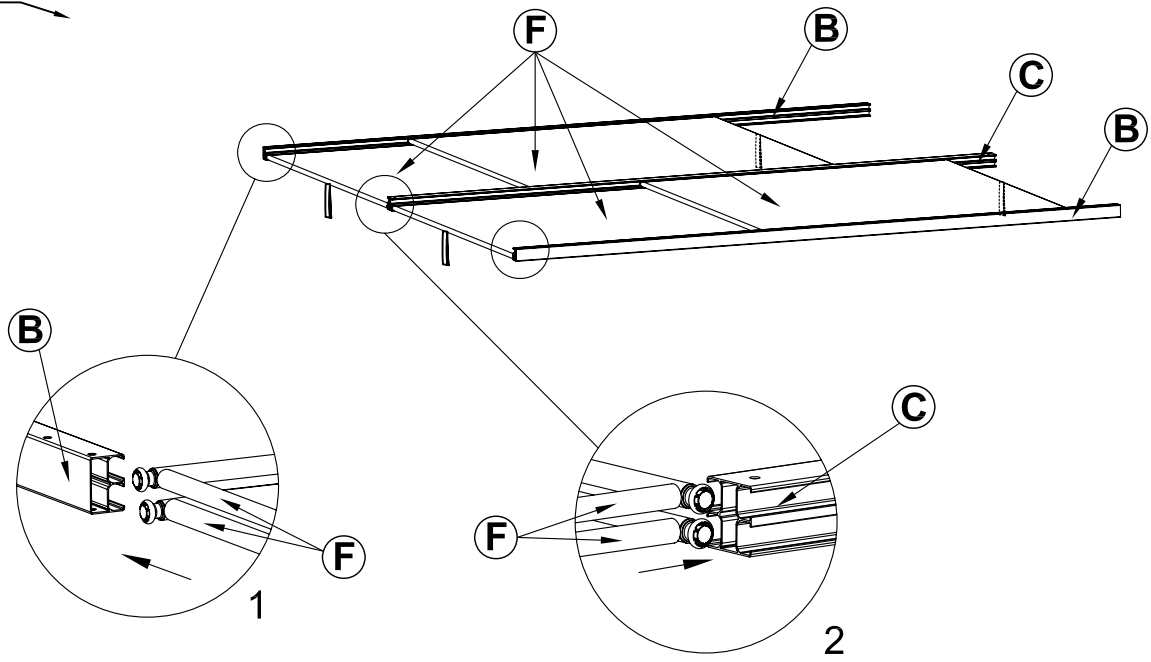
STEP 01



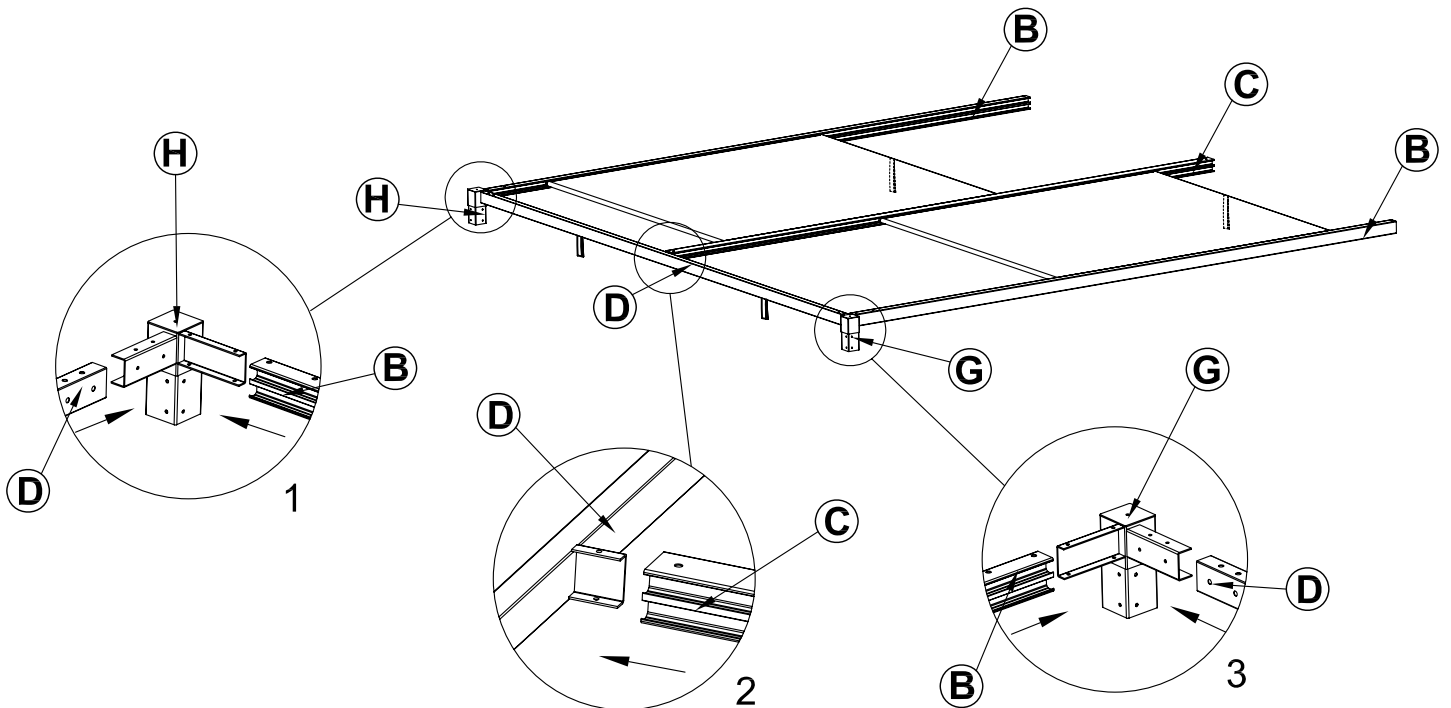
STEP 02



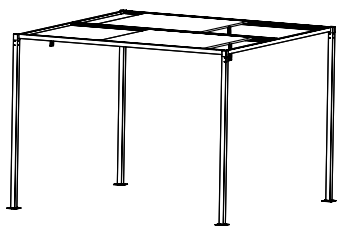
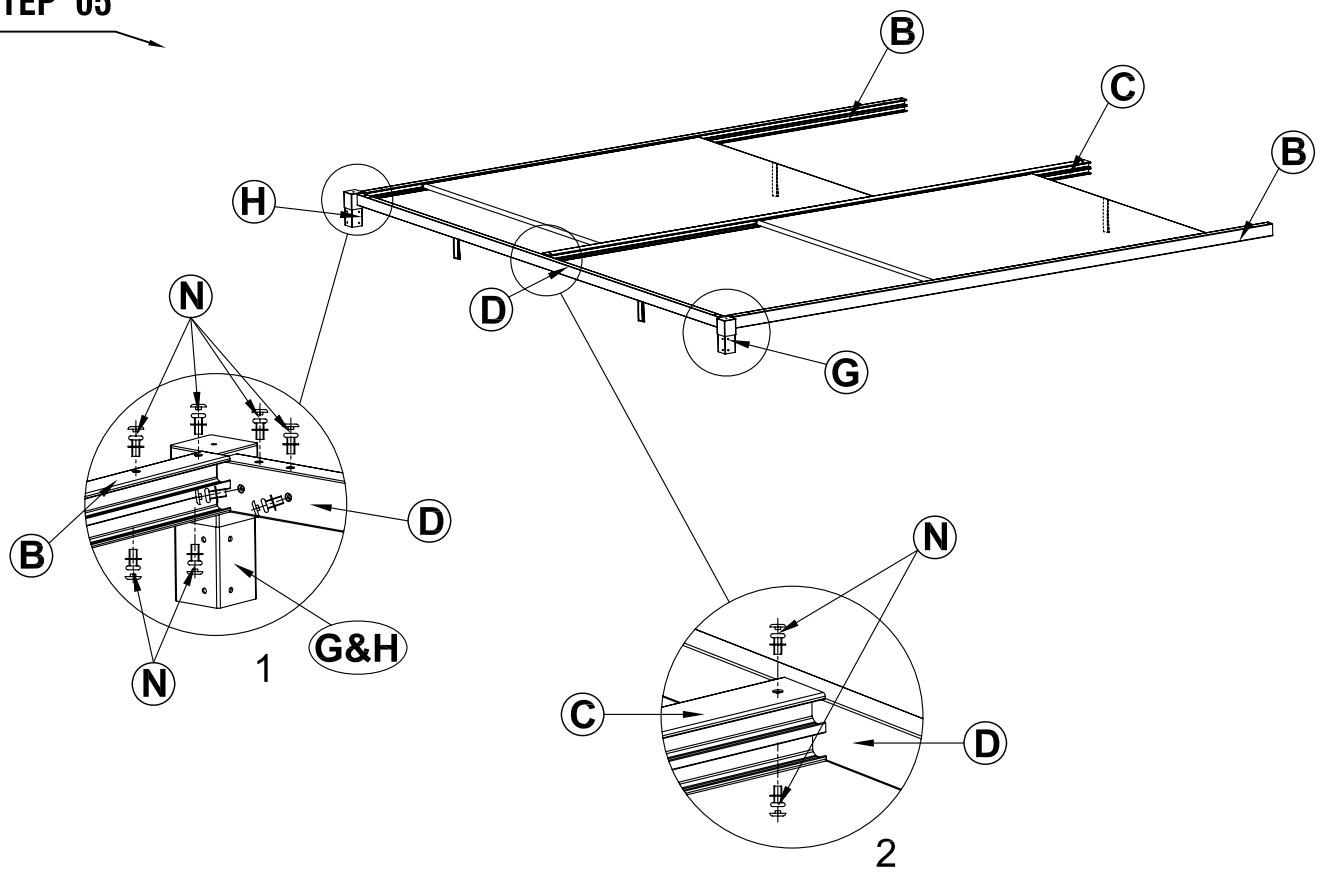
STEP 03



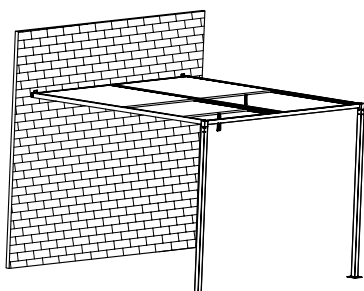
STEP 04



STEP 05

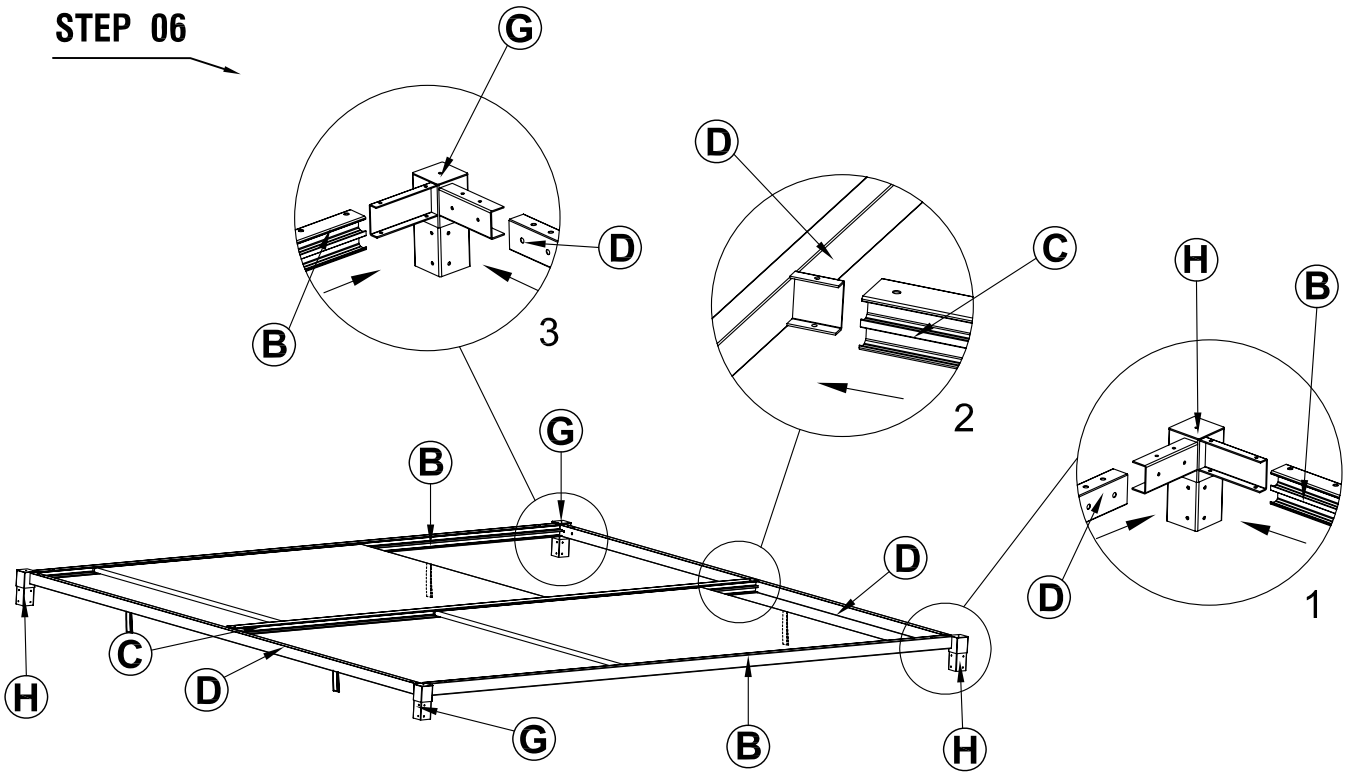


STEP 06---STEP 09

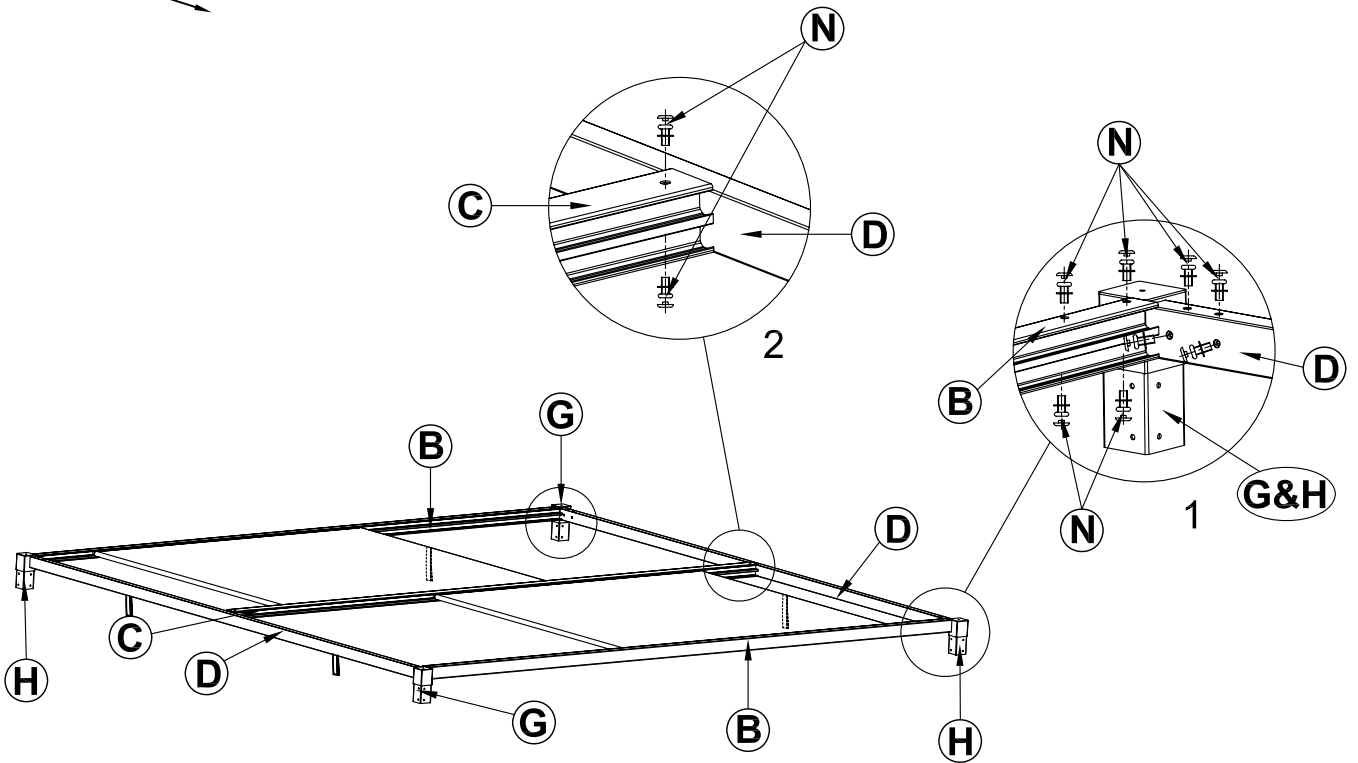


STEP 10---STEP 14

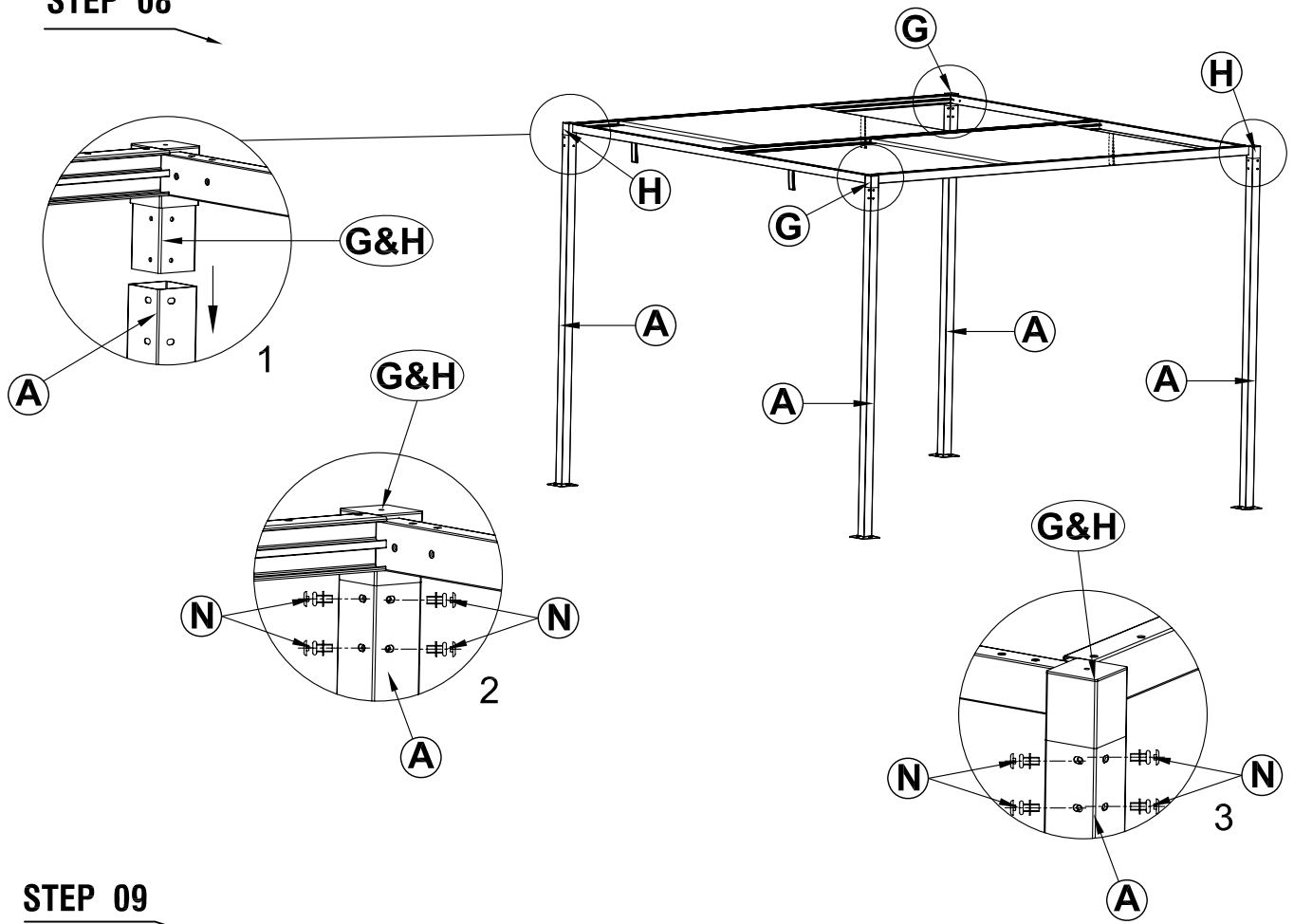
STEP 06



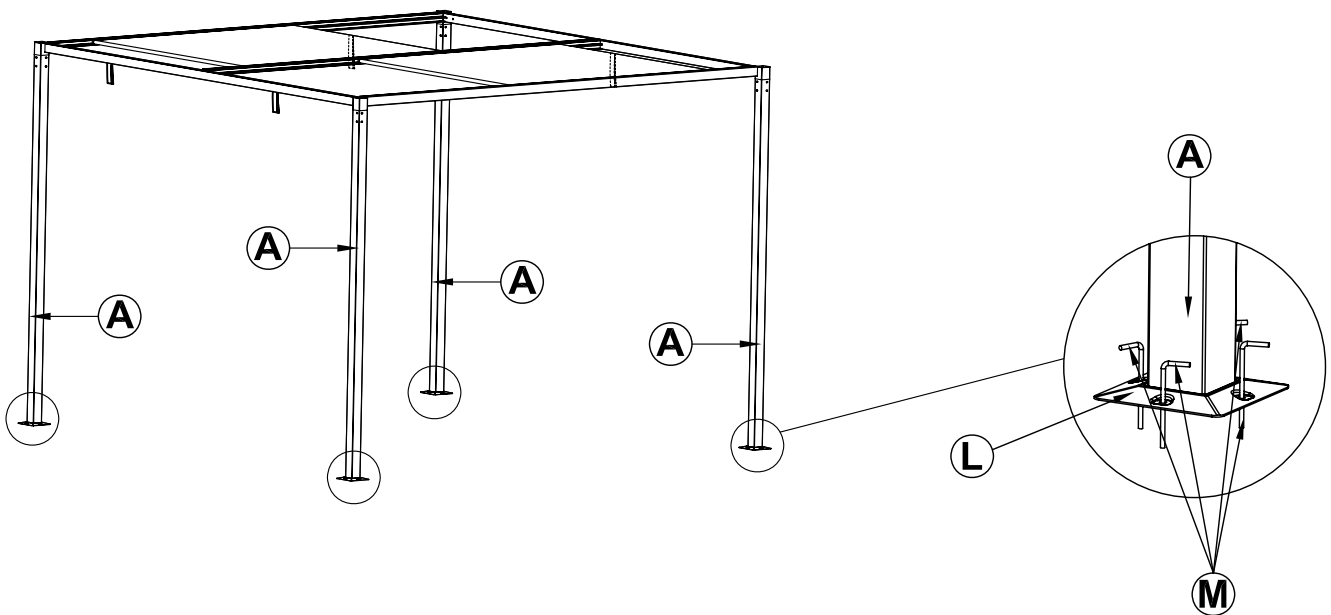
STEP 07



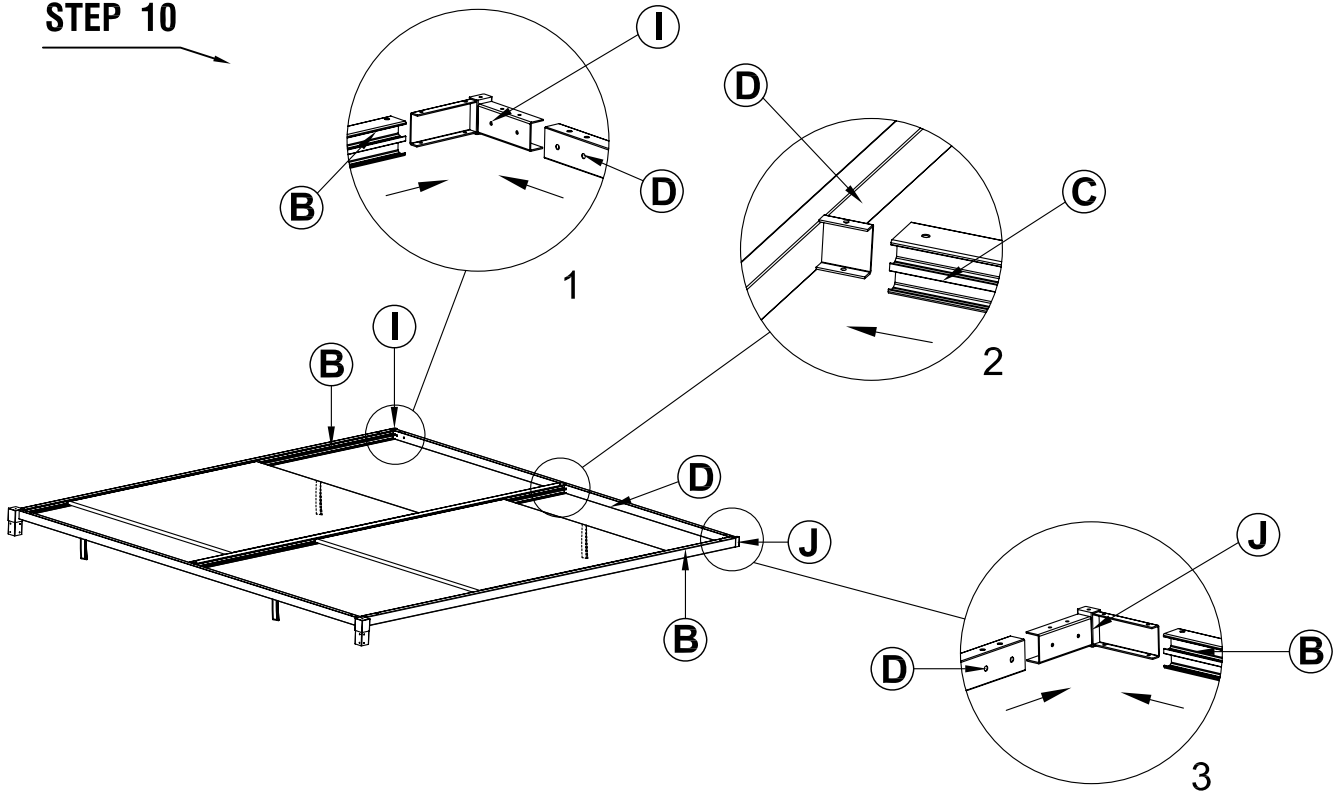
STEP 08



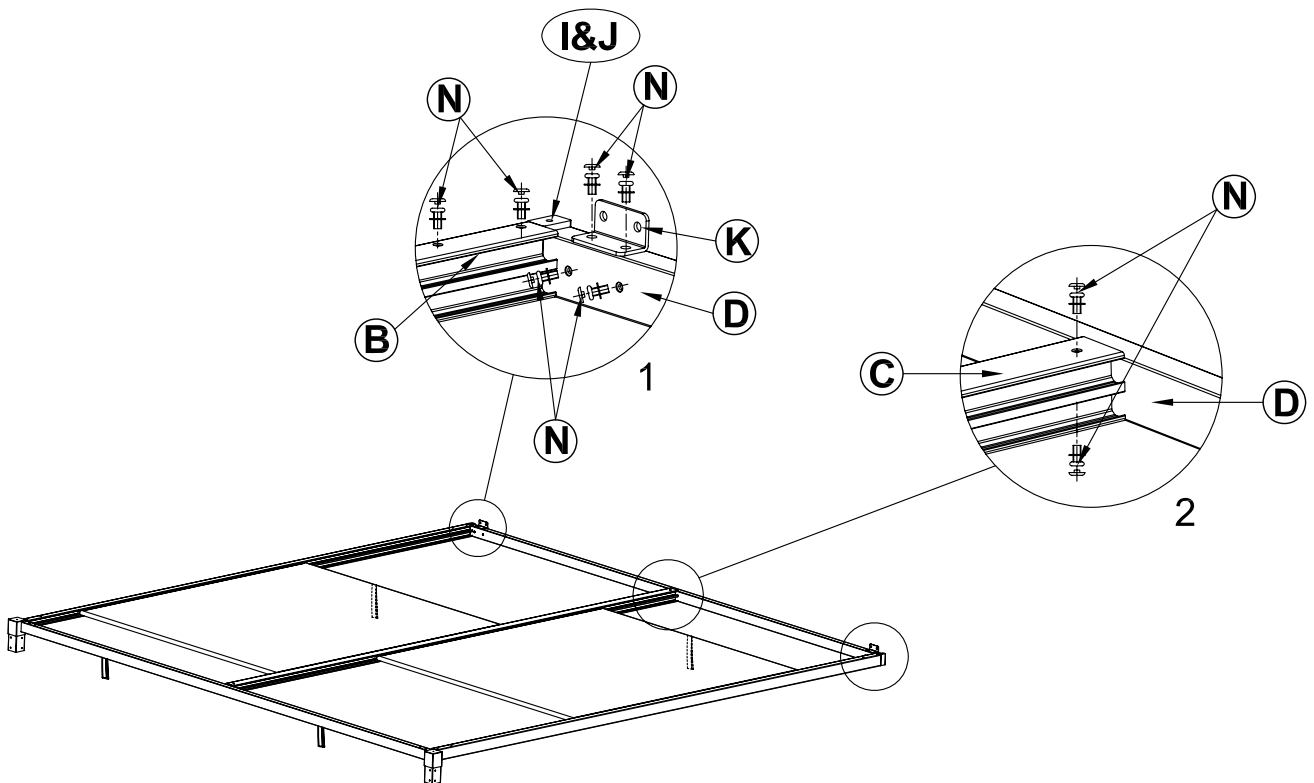
STEP 09



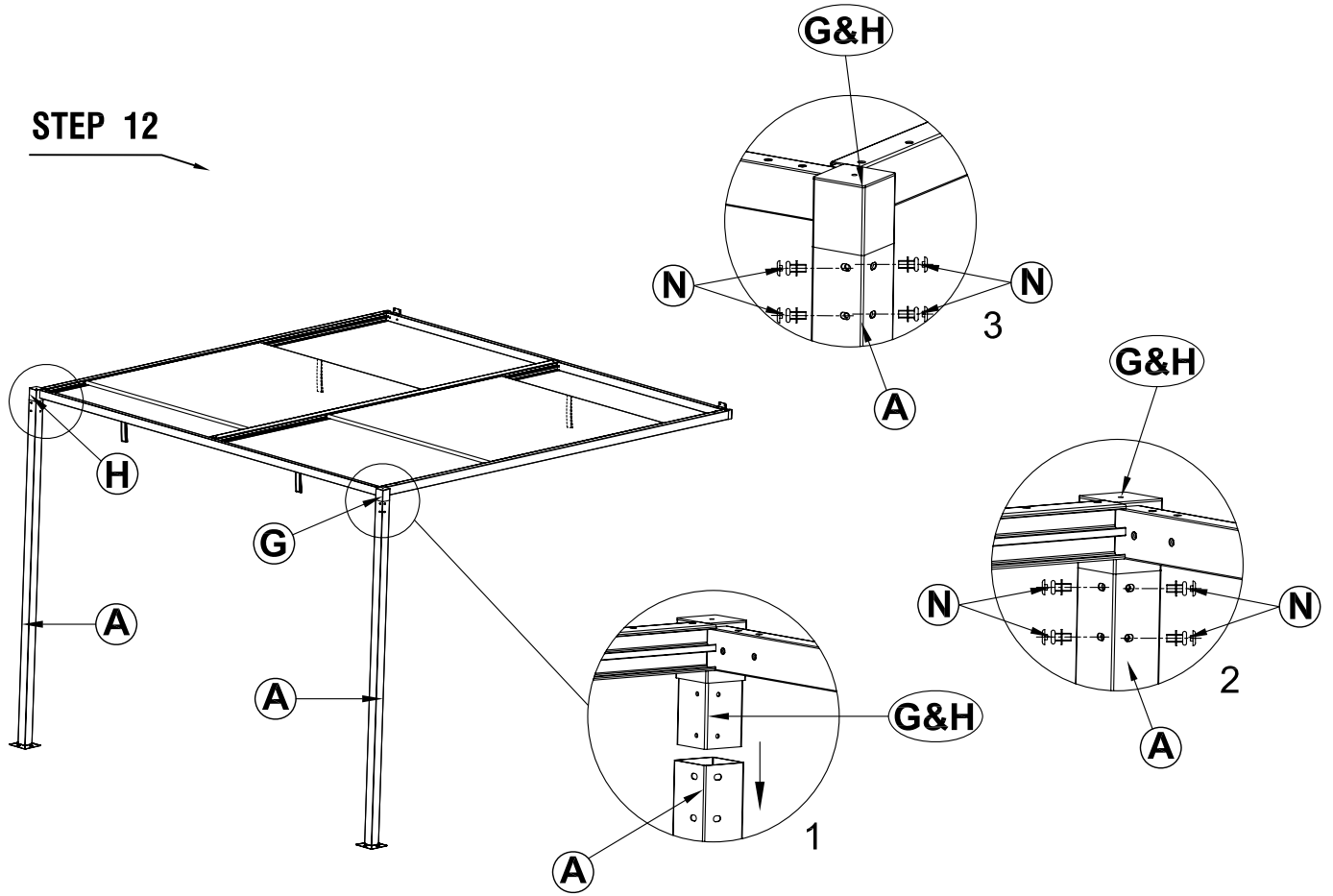
STEP 10



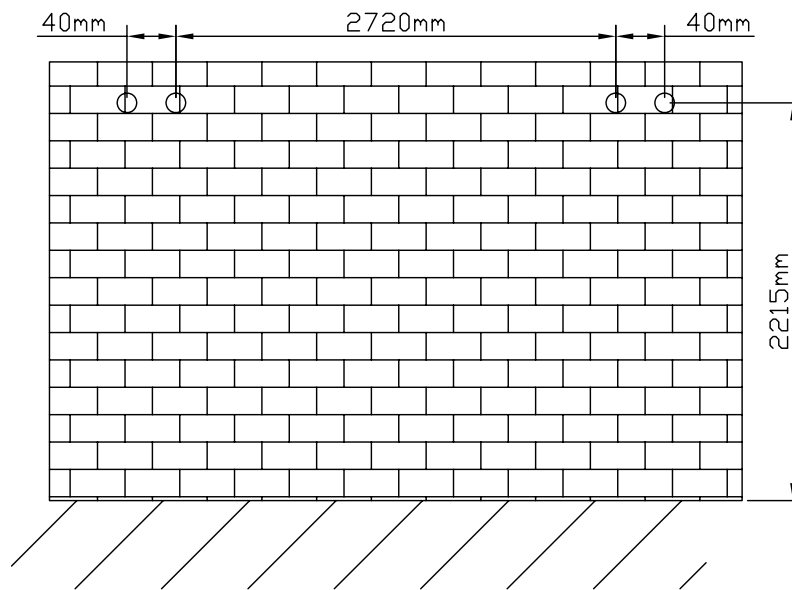
STEP 11



STEP 12



STEP 13



STEP 14

